

R5 RA 1000/1600 B

Oil-lubricated rotary vane vacuum pumps



VACUUM SOLUTIONS



Reliable

Robust construction, highly resilient carbon fiber vanes, proven rotary vane technology, long service life

High performance

High pumping speed at low pressures, designed for continuous operation

Flexible

Various design options available, easy adaption to individual customer requirements and processes, level and temperature switch as standard

Accessories

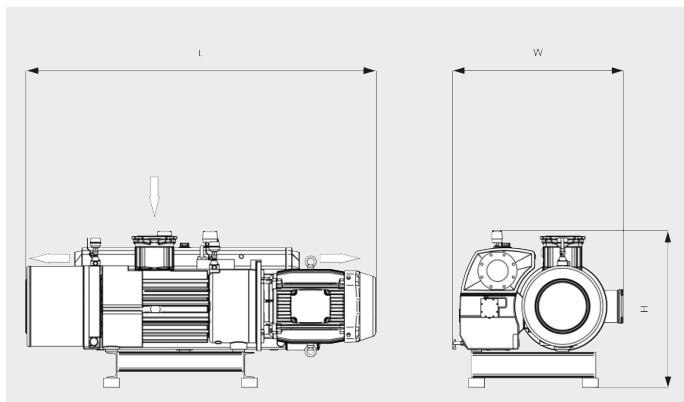
- IEC (IE3) and NEMA motors
- Multi-voltage, multi-frequency motors (IE3) for variable speed drive
- Single or double gas-ballast valve, manual or solenoid operation
- Various inlet filters
- Inlet filter pressure gauge
- Various temperature and pressure gauges
- Starter units
- Oil mist separator
- Energy recuperation kit with heat exchanger
- Vacuum pump oils for all applications

R5 RA 1000/1600 B

Oil-lubricated rotary vane vacuum pumps

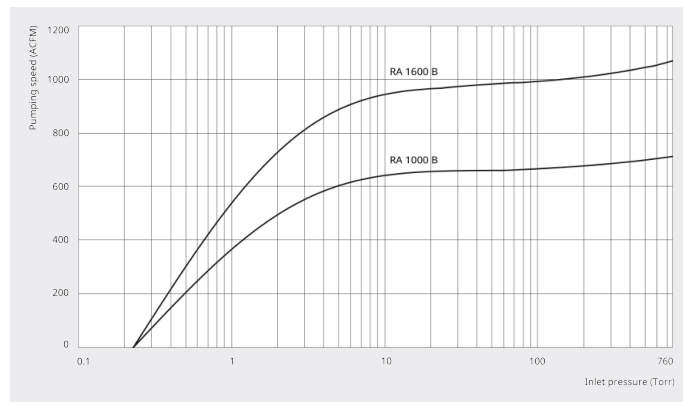


Dimensional drawing



Pumping speed

Air at 70°F. Tolerance: ± 10%



	R5 RA 1000 B	R5 RA 1600 B
Nominal pumping speed	710 ACFM	1060 ACFM
Ultimate pressure	0.225 TORR	0.225 TORR
Nominal motor rating	40 HP	50 HP
Nominal motor speed	1200 RPM	1200 RPM
Power consumption at 75 TORR	30 HP	44.2 HP
Power consumption at ultimate pressure	16.2 HP	24.0 HP
Noise level (ISO 2151)	82 dB(A)	83 dB(A)
Oil capacity	32.0 qts.	32.0 qts.
Weight approx.	2151 Lbs.	2833 Lbs.
Dimensions (L x W x H)	75.3 x 45.3 x 36.8 inches	87.8 x 45.3 x 36.8 inches
Gas inlet / outlet	6" / 4" ANSI / 6" / 4" ANSI	6" / 4" ANSI / 6" / 4" ANSI

DO YOU WANT TO KNOW MORE?

Get in touch with us directly!
info@buschusa.com or +1 757 463 7800



CONTACT FORM



CALL NOW